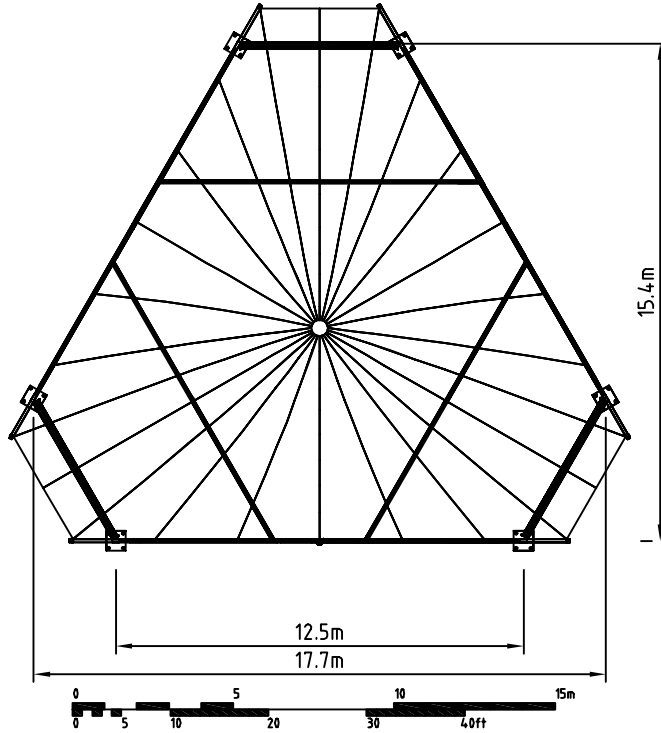
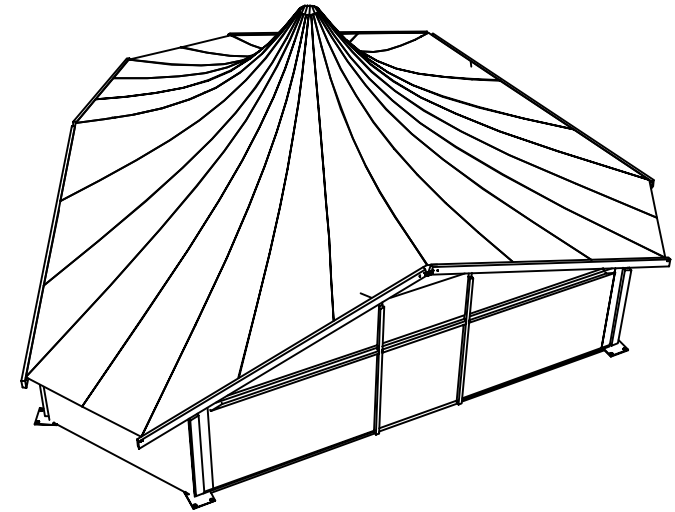
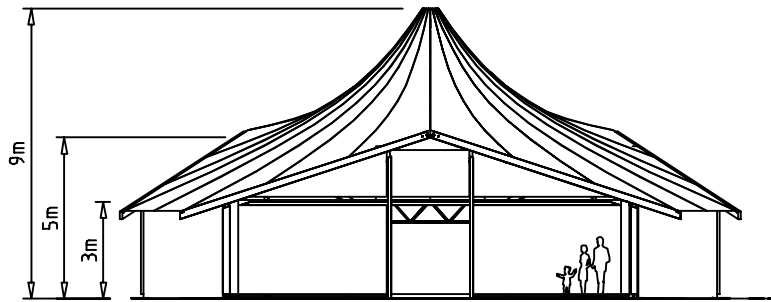
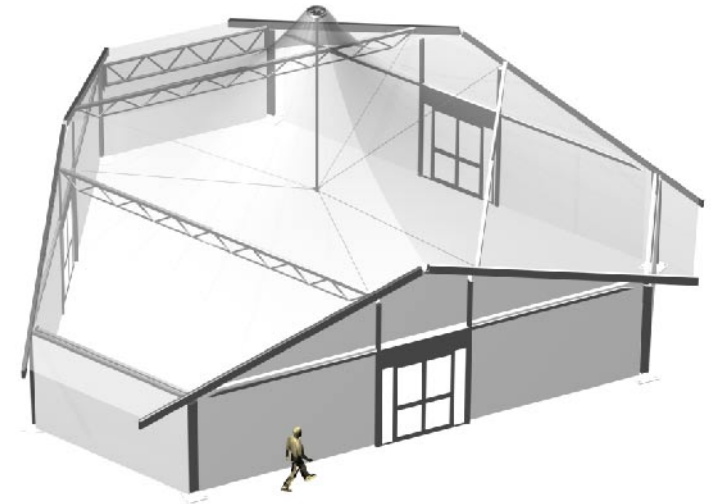


# Triplex 12.5m Module.



Design copyright © 2018 MoonBurst Structures. Do not scale from this drawing. All dimensions in millimetres unless otherwise stated. Modelling and fabrication to be undertaken in accordance with the national standard specification. Testing in accordance with Table 1 Acceptance Table 2.



**Per Module:**

Internal length:	15.4 metres	50.5 feet	External length:	17.8 metres	58 feet
Internal width:	12.5 metres	41 feet	External width:	19 metres	62 feet
Internal height:	5 metres	16 feet	External height:	9 metres	29.5 feet
Internal Area:	186 sq metres	2002 square feet	External Area:	210 sq metres	2260 square feet

Typical capacities	1 modules:
Theatre	186 people
Dining	279 people
Dance	372 people

Revision Description		Revision Date	
Filename info@moonburststructures.com			
Title 1 MoonBurst Triplex		Title 2 General Arrangement	
MoonBurst structures	Drawn by (Middleton)	Date	Drawing No. 001a
Project 078	Scale nts	Sheet No. 1of1	Designers email: info@moonburststructures.com